

## TCP - thermofin® cooling package

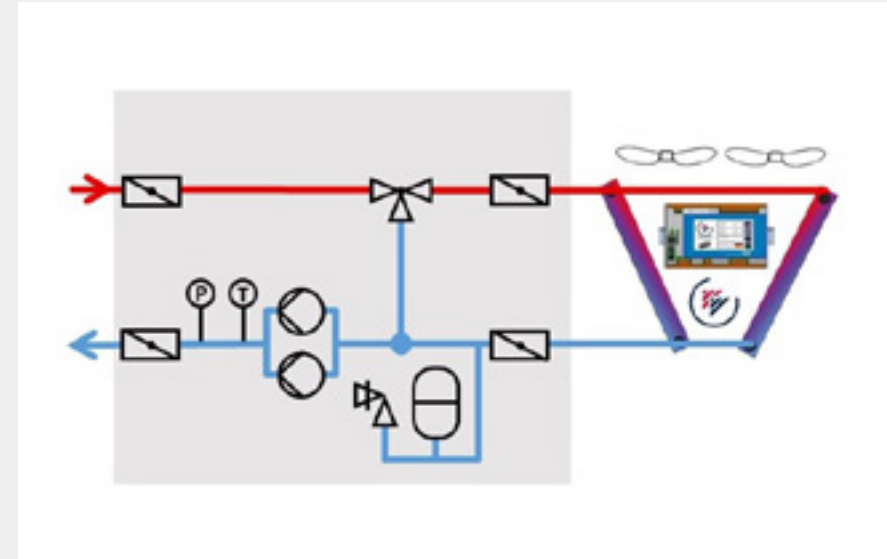
With the **thermofin® cooling package**, we offer a compact dry cooling system as a customer-friendly plug-and-play solution. The main components are a thermofin® dry cooler and an integrated pump station - both controlled by our thermofin® control system (TCS). The housing of the pump station and the dry cooler are mounted on a steel frame.

### advantages

Our operational complete package saves assembly and engineering effort. Only supply media need to be added to the construction site. The design of our **thermofin® cooling package** is individually tailored to your application. In addition to the various design options for the pump station, project-related dry cooling combinations are also possible: whether table coolers or V-coolers, whether dry coolers, with adiabatic pre-cooling or with a spraying system - the right solution for every application.

### accessories/options

- run and standby pump
- speed control of the pump
- sensor technology for: temperature, pressure, volume flow
- pressure equalization vessel and safety valve
- 3-way mixing valve
- filter
- adiabatic system



### control system

As an intelligent control device, the TCS enables the **thermofin® cooling package** to operate independently: the fans are continuously controlled by means of a set value regulation of the medium outlet temperature. The operating parameters are monitored and can be transmitted via BUS interfaces (Modbus, Profinet, Bacnet). Online remote monitoring is also possible via the TCS.

The **thermofin® cooling package** can be operated particularly energy-efficiently via a central control signal through the combined control of the fan and pump speed.

