



We manufacture environment-friendly refrigeration units with emphasis on quality, technology and economy.

### Frigadon Clima...

- Swedish construction and manufacturing
- A great number of accessories
- Customized units on demand
- Complete spare part inventory
- Customer support
- Construction for nordic climates and a long life
- The units are testrun before delivery

### Description

The Frigadon units are intended for industrial use and consist of a condensing unit and an evaporator unit, that have been combined to a compact unit.

All Frigadon units are testrun and completely ready-for-use on delivery. All electric connections are made and the only necessary installation is to mount the unit in the wall and connect it to the mains.

### Equipment

- Clima standard unit includes
- Automatic drain-water disposal (wall-mounted model)
  - Electronic temperature regulator
  - Temperature display with acoustic alarm signal for high/ low room temperature
  - Alarm with reset for high condenser temperature and a terminal block prepared for forwarding the signal to external appliances.
  - For Miniclimate, the controls are integrated in the unit on the evaporator side.
  - For other units, the controls are united in a separate control box to be placed at convenience.
  - Start-, run- and safety equipment

## Plug-in package or split AIRCONDITIONING

Temperature range +12 °C - + 30 °C  
Mounted in wall or ceiling  
Cooling capacity 0,6 - 14,5 kW

Weatherprotected units also include:

- Condenser pressure control
- Crank case heater

### Accessories

Frigadon accessories do not mean external accessories that are difficult to install. Everything is integrated in the unit.

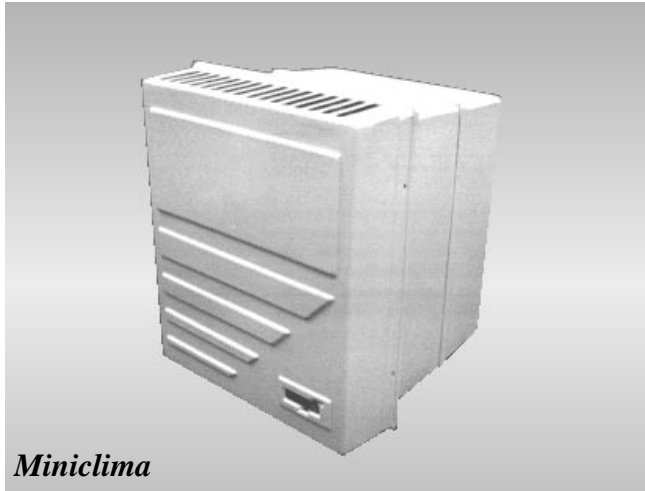
Denomination	Designation
• Weatherprotected .....	-V
• Heating .....	-EV
• Light .....	-B
• Arctic .....	-AR
• Tropical .....	-T
• Noice reduction .....	-LD
• Drop-In (roof version) .....	-DI
• Water-cooled condenser .....	-VK
• Hot gas defrost .....	-HA
• Split .....	see separate product data sheet

For further information on accessories, see separate data sheet. We can also offer you specially developed models for your specific needs at competitive prices - even in small series.

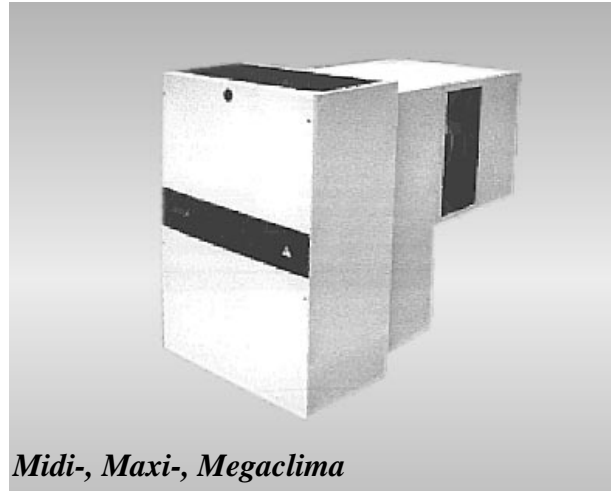
### Order

Example of order	Description
Midiclimate - 40 - V - B	
┌───┐	Built-in light
└───┘	Weatherprotected
┌───┐	Size
└───┘	Compact cooling unit



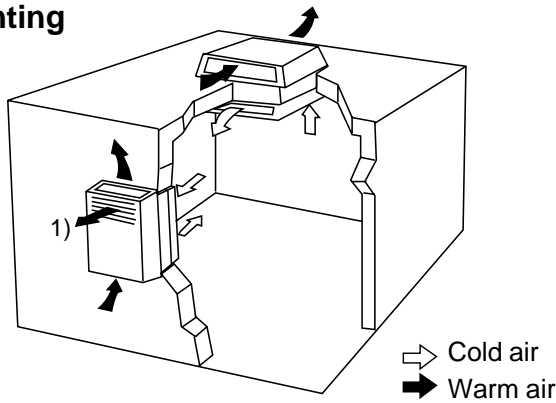


**Miniclimate**

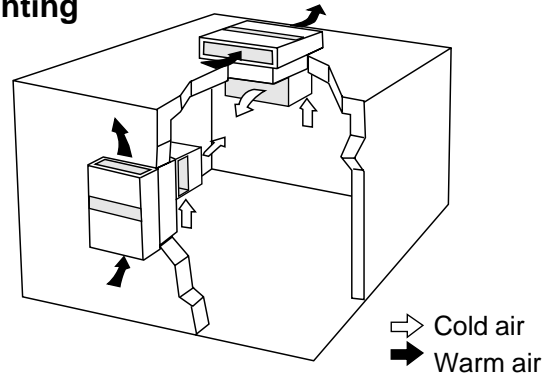


**Midi-, Maxi-, Megaclimate**

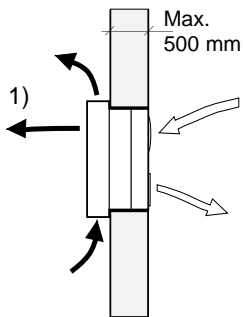
**Mounting**



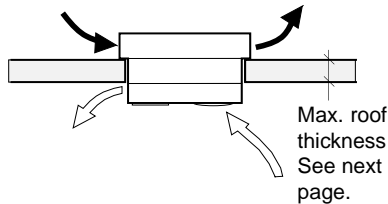
**Mounting**



**WALL MOUNTED**

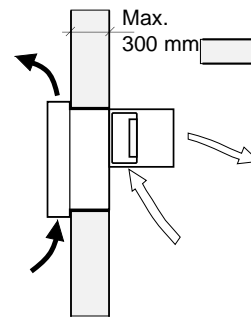


**ROOF MOUNTED DROP-IN**

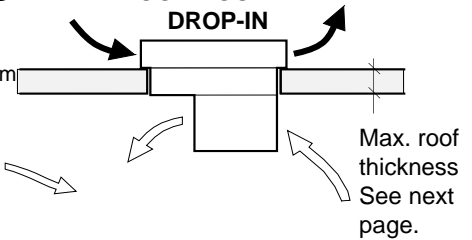


1) Direction of air flow, weatherprotected option

**WALL MOUNTED**



**ROOF MOUNTED DROP-IN**



**Technical Data**

Model	Power V/Phase/Hz	Fuse A, slow	Consumpt. kW Max. Nom. 1)		Cooling cap. kW T <sub>amb</sub> = +27 °2)				Cooling cap. kW T <sub>amb</sub> = +32 °3)				Noise 4) Type fill ca kg dB(A)	
					T <sub>room</sub> = +18		T <sub>room</sub> = +23 T <sub>room</sub> = +18		T <sub>room</sub> = +23 Refrigerant		T <sub>room</sub> = +23 Refrigerant			
					Sensible	Total	Sensible	Total	Sensible	Total	Sensible	Total		
Miniclimate - 5	230/1/50	10	0,30	0,27	0,55	0,55	0,59	0,67	0,53	0,54	0,59	0,67	R-134a/0,19	52
Miniclimate - 10	230/1/50	10	0,50	0,47	0,96	0,96	1,07	1,07	0,94	0,94	0,96	0,96	R-134a/0,27	55
Miniclimate - 20	230/1/50	16	1,25	1,15	2,05	2,05	2,17	2,22	1,88	1,88	2,12	2,12	R-134a/0,80	58
Midiclimate - 35	400/3N/50	10	1,45	1,15	3,27	3,41	3,16	3,23	3,19	3,25	3,59	4,15	R-134a/1,60	65
Midiclimate - 50	400/3N/50	10	1,95	1,55	4,29	4,29	4,74	5,13	4,13	4,13	4,61	4,80	R-134a/1,70	67
Maxiclimate - 70	400/3N/50	10	2,40	1,90	6,43	6,77	6,68	7,26	5,85	5,85	6,55	6,93	R-134a/4,00	69
Maxiclimate - 90	400/3N/50	16	3,20	2,90	7,64	7,64	8,47	9,00	7,28	7,28	8,32	8,60	R-134a/4,50	70
Megaclimate - 110	400/3N/50	16	4,15	3,35	8,42	9,58	9,05	11,23	8,51	9,00	8,82	10,67	R-134a/9,00	72
Megaclimate - 140	400/3N/50	20	5,30	4,20	11,44	12,14	12,44	14,47	11,14	11,46	12,10	13,58	R-134a/9,00	74

1) Nominal effect at T<sub>2</sub> = +10 °C, T<sub>1</sub> = +40 °C and T<sub>amb</sub> = +27 °C. t<sub>room</sub> - t<sub>2</sub> 3 13 °C, Relative humidity = 60%

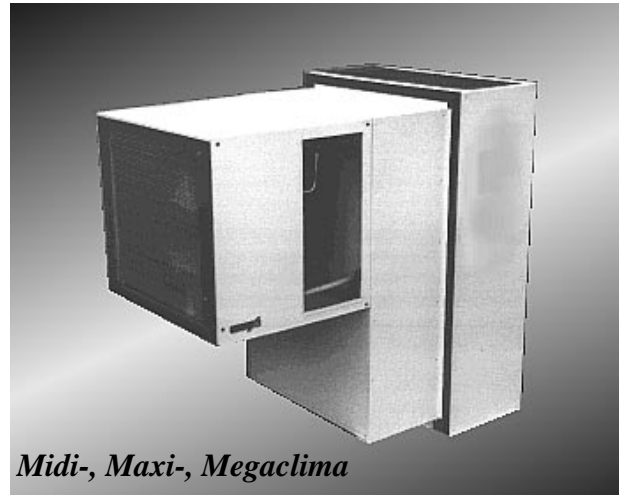
2) Cooling effect at T<sub>1</sub> = +40 °C, T<sub>amb</sub> = +27 °C and t<sub>room</sub> - t<sub>2</sub> 3 13 °C, Relative humidity = 60%.

3) Cooling effect at T<sub>1</sub> = +45 °C, T<sub>amb</sub> = +32 °C and t<sub>room</sub> - t<sub>2</sub> 3 13 °C, Relative humidity = 60%.

4) Sound level on the condenser side 1 meter from the unit.

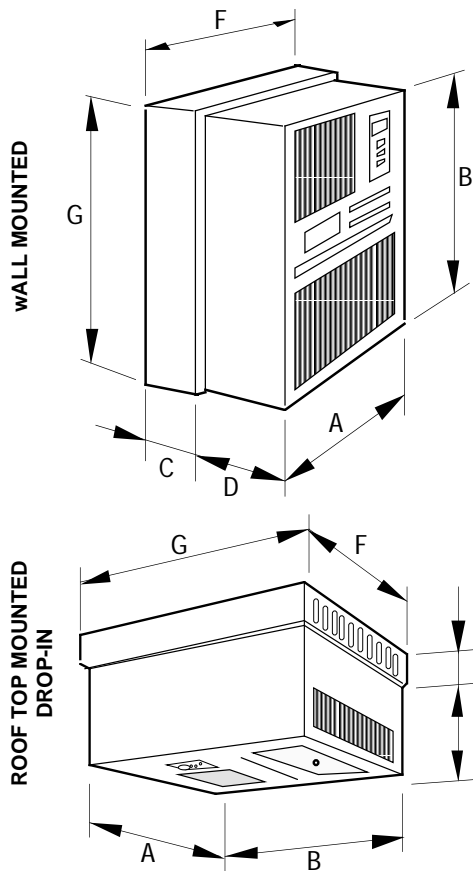


*Miniclimate*

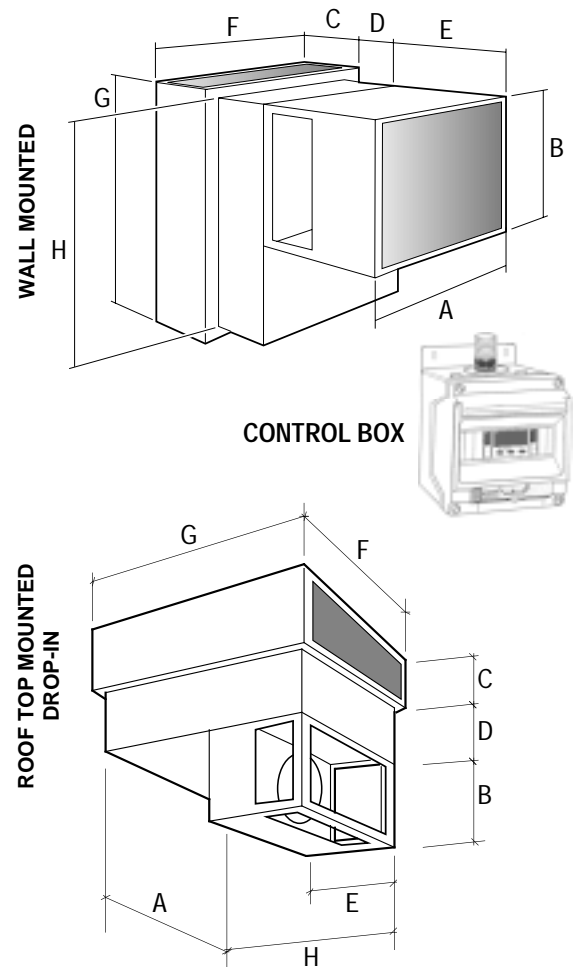


*Midi-, Maxi-, Megaclimate*

**Dimensions**



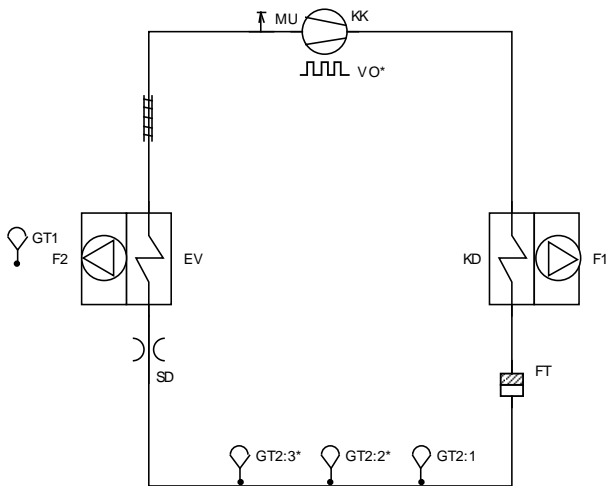
**Dimensions**



**Dimensions, Hole Size and Weight**

Model	A mm	B mm	C mm	D mm	E mm	F mm	G mm	H mm	Hole size mm		Max. roof thickness, mm	Weight ca kg
									Width	Height		
Miniclimate -5	535	635	70	210	-	595	695	-	545	645	130	32
Miniclimate -10	535	635	100	210	-	650	750	-	545	645	130	45
Miniclimate -20	600	700	170	430	-	650	750	-	610	710	250	70
Midiclimate -35	650	550	340	290	500	750	4095	995	675	1020	290	135
Midiclimate -50	650	550	340	290	500	750	4095	995	675	1020	290	140
Maxiclimate -70	870	700	475	390	700	975	1190	1090	895	1110	390	230
Maxiclimate -90	870	700	475	390	700	975	1190	1090	895	1110	390	240
Megaclimate -110	1470	700	475	390	700	1575	1290	1190	1495	1210	390	380
Megaclimate -140	1470	700	475	390	700	1575	1290	1190	1495	1210	390	390

## Flow Chart Miniclima

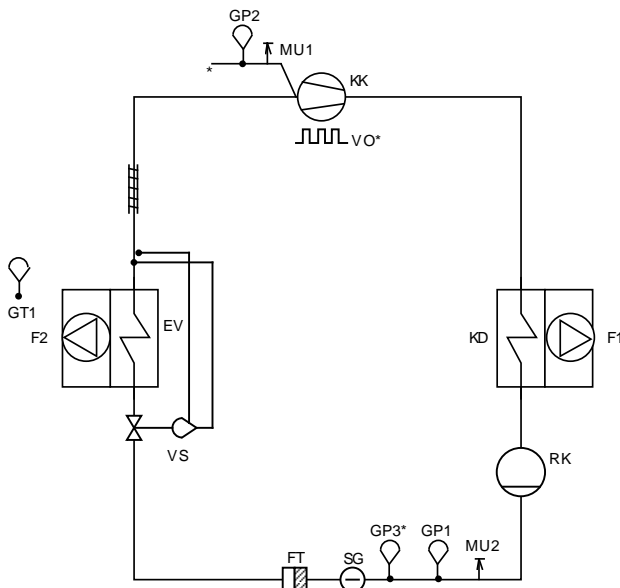


Symbol	Description
EV	Evaporator
F1	Condenser fan
F2	Evaporator fan
FT	Filter drier
GT1	Operation thermostat
GT2:1	Overheat thermostat <sup>1)</sup>
GT2:2*	Condenser fan thermostat <sup>1)</sup>
GT2:3*	Crank case heater thermostat
KD	Condenser
KK	Compressor
MU	Service valve, LP-side
SD	Capillar tube
VO*	Crank case heater

\* Only the weatherprotected option

1) Pressurestats on Miniclima-20

## Flow chart Midi-, Maxi- & Megaclima



Symbol	Description
EV	Evaporator
F1	Condenser fan
F2	Evaporator fan
FT	Filter drier
GT1	Operating thermostat
GP1	High pressurestat
GP2	Low pressurestat
GP3*	Condenser pressurestat
KD	Condenser
KK	Compressor
MU1	Service valve
MU2	Service valve
RK	Refrigerant tank
SG	Sight glas
SÄV**	Safety valve
VA**	Cut-off valve
VO*	Crank case heater
VS	Expansion valve

\* Only the weatherprotected option

\*\* Not on Midiclima

## Distributor

*Frigadon reserve the right to changes without prior notice*



Postadress/Postal address  
**Frigadon AB**  
 Box 7001  
 S-300 07 HALMSTAD  
 SWEDEN

Gatuadress/Address  
 Kvarndalsvägen 12

Telefon/Telephone  
 Nat: 035 - 21 80 20  
 Int: +46 35 21 80 20

Telefax/Fax  
 Nat: 035 - 12 40 23  
 Int: +46 35 12 40 23

Internet  
[www.frigadon.se](http://www.frigadon.se)  
 e-post/e-mail  
[frigadon@frigadon.se](mailto:frigadon@frigadon.se)