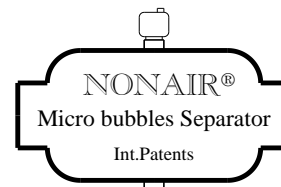


NONAIR[®] Micro bubbles Separator



This model of NONAIR[®] Micro bubbles Separator is designed to remove air from circulating heating and chilled water systems. Floating particles will be separated over time in the same separation chamber as the air and can be flushed away through the drainage plug.



DESIGN

The socket at the top of the body, is for **air outlet**. Use a **reliable** Air-Vent with ball valve.
The socket at the bottom of the body, is for **drainage**. Use a ball valve with corresponding size.
Reduction and blanking plugs has O-ring sealing of EPDM/NBR-material

Design pressure: PN10, 10 bar

Design temperature: 110°C

Conformity to PED 97/23 EC: According to SEP in compliance to article 3 section 3.

CONNECTIONS

Nonair[®] is mainly made of acid-resistant Stainless Steel material 316L

The units are available with various connection alternatives:

SOCKET connection with sockets made of Stainless Steel material 316L.

Available with female and male threads.

Is used at threaded pipe joint with Stainless or Carbon Steel pipes.

WELDING ENDS 316L with welding ends made of Stainless Steel material 316L.

Is used at welded pipe joint with Stainless Steel pipes.

WELDING ENDS Carbon Steel with welding ends of Steel material acc. to DIN 171 75.

Is used at welded pipe joint with Carbon Steel pipes.

FLANGE connection with welding collars made of Stainless Steel material 316L and loose flanges of Silumin.

Is used at flanged pipe joint with Stainless or Carbon Steel pipes.

GROOVED connection with grooved ends of Steel material acc. to DIN 171 75.

Is used at grooved pipe joint with Victualic[®], Grinnell[®] or similar couplings.

OPERATION FIGURES

Dimensioning: Choose the same dimension as the pipe it is connected with.

Capacity: No particular limitation.

Pressure drop: Minimal (~5 mm water column/ ~50 Pa at 1 m/s).

Manufacturer:

AVONNI AB

Nybytorpsvägen 12, SE-182 54 DJURSHOLM, Sweden

Tel: +46 8 755 73 00, Fax: +46 8 753 20 15, www.nonair.net, E-mail: info@nonair.net

NONAIR® Micro bubbles Separator

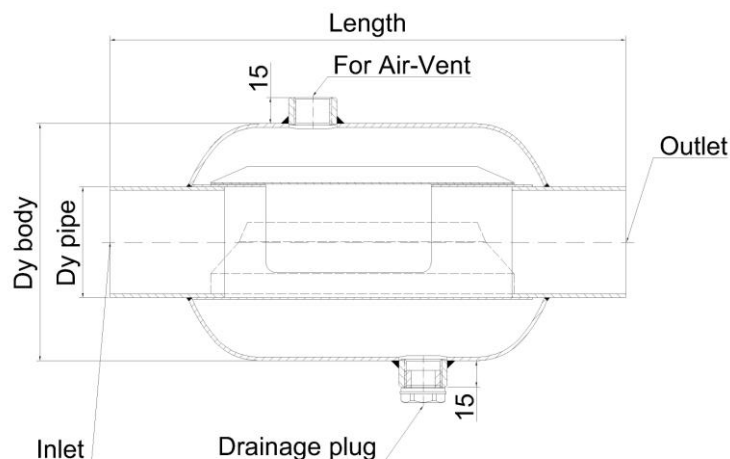
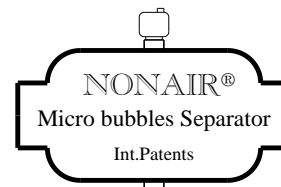


Table for weight, length etc.

					SOCKET		
					female	male	all
DIM	Dy mm	volume litre	sockets		length mm		weight kg
			air	drain			
R 20 (3/4")	70	0,5	1x 3/8"	1x 3/8"	140		0,6
R 25 (1")	70	0,5	1x 3/8"	1x 3/8"	145	145	0,6
R 32 (1 1/4")	90	0,8	1x 3/8"	1x 3/8"	180		1,0
R 40 (1 1/2")	90	0,8	1x 3/8"	1x 3/8"	180	180	1,0
R 50 (2")	129	3	1x 1/2"	1x 1/2"	330	370	1,9

					WELDING ENDS				FLANGE		GROOVED	
					316L		carbon steel					
DIM	Dy mm	volume litre	sockets		length mm	weight kg	length mm	weight kg	length mm	weight kg	length mm	weight kg
			air	drain								
DN 50 (60,3)	129	3	1x 1/2"	1x 1/2"	280	1,5	330	1,7	305	3,3	370	1,7
DN 65 (76,1)	154	5	1x 1/2"	1x 1/2"	340	1,8	390	2,1	365	4,2	430	2,1
DN 80 (88,9)	168	6	1x 1/2"	1x 1/2"	380	3,5	430	3,8	405	6,5	470	3,8
DN 100 (114,3)	204	8	1x 1/2"	1x 1/2"	420	5,1	480	5,6	455	8,7	520	5,6
DN 125 (139,7)	256	16	2x 1/2"	1x 1/2"	470	8,1	530	8,8	505	13	570	8,8
DN 150 (168,3)	306	25	2x 1/2"	1x 1/2"	520	10	580	11	555	16	620	11
DN 200 (219,1)	406	56	2x 1/2"	1x 1"	620	26	680	28	660	35	730	28
DN 250 (273,0)	456	103	2x 1/2"	1x 1"	880	44	940	50	920	60	990	50
DN 300 (323,9)	550	165	3x 1/2"	1x 1"	920	68	980	77	965	112	1030	77
DN 350 (355,6)	608	225	3x 1/2"	1x 1"	1050	86	1110	97	1095	147	1180	97
DN 400 (406,4)	700	329	3x 1/2"	1x 1"	1140	122	1200	135	1185	195	1270	135

Manufacturer:

AVONNI AB

Nybytorpsvägen 12, SE-182 54 DJURSHOLM, Sweden

Tel: +46 8 755 73 00, Fax: +46 8 753 20 15, www.nonair.net, E-mail: info@nonair.net