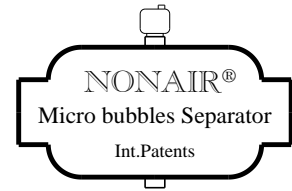
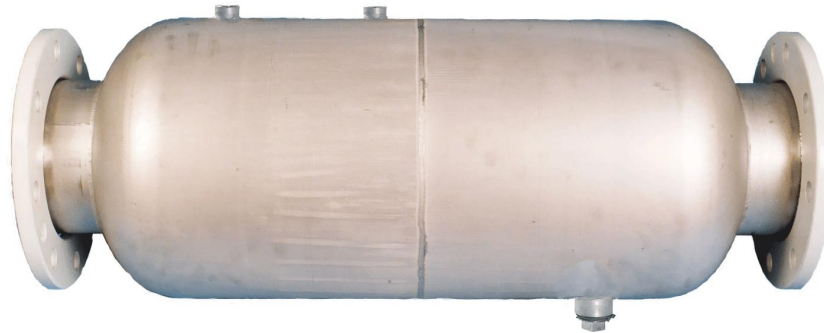


NONAIR[®] Micro bubbles Separator with particle separation



This model of **NONAIR[®]** Micro bubbles Separator is designed to remove both air and dirt from circulating heating and chilled water systems. Floating particles will be separated in the same separation chamber as the air. Heavy particles will be collected in the separation chamber in the outlet end. All particles can be flushed away through the drainage plug.



DESIGN

The socket at the top of the body, is for **air outlet**. Use a **reliable** Air-Vent with ball valve.
The socket at the bottom of the body, is for **drainage**. Use a ball valve with corresponding size.
Reduction and blanking plugs has O-ring sealing of EPDM/NBR-material

Design pressure: PN10, 10 bar

Design temperature: 110°C

Conformity to PED 97/23 EC: According to SEP in compliance to article 3 section 3.

CONNECTIONS

Nonair[®] is mainly made of acid-resistant Stainless Steel material 316L

The units are available with various connection alternatives:

SOCKET connection with sockets made of Stainless Steel material 316L.

Available with female and male threads.

Is used at threaded pipe joint with Stainless or Carbon Steel pipes.

WELDING ENDS 316L with welding ends made of Stainless Steel material 316L.

Is used at welded pipe joint with Stainless Steel pipes.

WELDING ENDS Carbon Steel with welding ends of Steel material acc. to DIN 171 75.

Is used at welded pipe joint with Carbon Steel pipes.

FLANGE connection with welding collars made of Stainless Steel material 316L and loose flanges of Silumin.

Is used at flanged pipe joint with Stainless or Carbon Steel pipes.

GROOVED connection with grooved ends of Steel material acc. to DIN 171 75.

Is used at grooved pipe joint with Victualic[®], Grinnell[®] or similar couplings.

OPERATION FIGURES

Dimensioning: Choose the same dimension as the pipe it is connected with.

Capacity: No particular limitation.

Pressure drop: Minimal (~5 mm water column/ ~50 Pa at 1 m/s).

Manufacturer:

AVONNI AB

Nybytorpsvägen 12, SE-182 54 DJURSHOLM, Sweden

Tel: +46 8 755 73 00, Fax: +46 8 753 20 15, www.nonair.net, E-mail: info@nonair.net

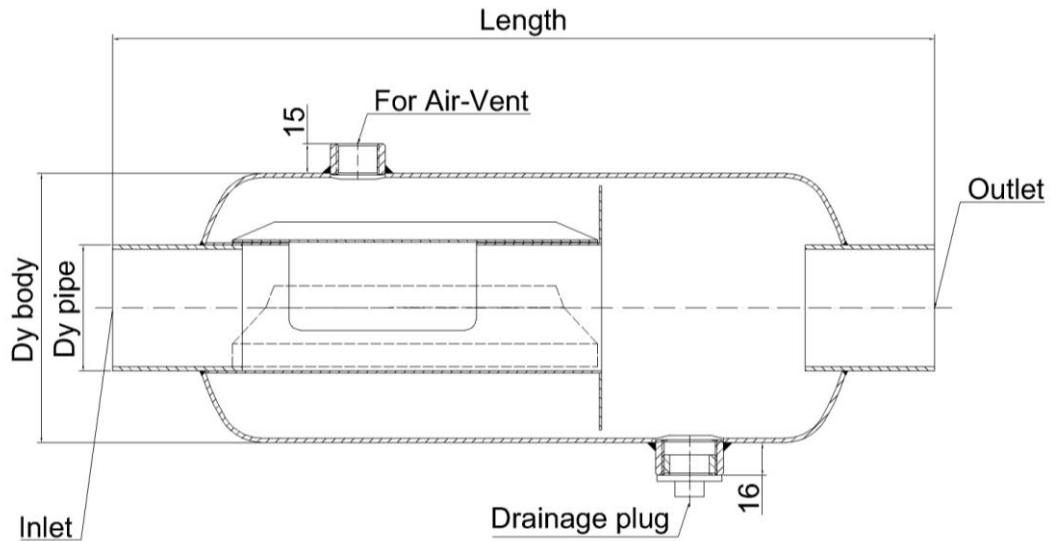


Table for weight, length etc.

| | | | | | SOCKET | | |
|-----------|----------|-----------------|---------|---------|--------------|--------------|-----|
| | | | | | female | male | all |
| DIM | Dy mm | volume litre | sockets | | length mm | weight kg | |
| | | | air | drain | | | |
| R 50 (2") | 129 | 4 | 1x 1/2" | 1x 3/4" | 445 | 485 | 3,2 |

| | | | | | WELDING ENDS | | | | FLANGE | | GROOVED | |
|----------------|----------|-----------------|---------|---------|--------------|--------------|--------------|--------------|--------------|--------------|--------------|--------------|
| | | | | | 316L | | carbon steel | | | | | |
| DIM | Dy mm | volume litre | sockets | | length mm | weight kg | length mm | weight kg | length mm | weight kg | length mm | weight kg |
| | | | air | drain | | | | | | | | |
| DN 50 (60,3) | 129 | 4 | 1x 1/2" | 1x 3/4" | 395 | 2,8 | 445 | 3,0 | 420 | 4,5 | 485 | 3,0 |
| DN 65 (76,1) | 154 | 7 | 1x 1/2" | 1x 3/4" | 475 | 3,6 | 525 | 3,8 | 500 | 6,0 | 565 | 3,8 |
| DN 80 (88,9) | 168 | 9 | 1x 1/2" | 1x 1" | 535 | 4,0 | 585 | 4,3 | 560 | 7,0 | 625 | 4,3 |
| DN 100 (114,3) | 204 | 14 | 1x 1/2" | 1x 1" | 610 | 7,5 | 670 | 8,0 | 645 | 11 | 710 | 8,0 |
| DN 125 (139,7) | 256 | 27 | 2x 1/2" | 1x 1" | 695 | 9,5 | 755 | 10 | 730 | 14 | 795 | 10 |
| DN 150 (168,3) | 306 | 45 | 2x 1/2" | 1x 1" | 800 | 14 | 860 | 15 | 835 | 20 | 900 | 15 |
| DN 200 (219,1) | 406 | 98 | 2x 1/2" | 1x 1" | 950 | 36 | 1010 | 38 | 990 | 45 | 1060 | 38 |
| DN 250 (273,0) | 456 | 159 | 2x 1/2" | 1x 1" | 1230 | 56 | 1290 | 62 | 1270 | 72 | 1340 | 62 |
| DN 300 (323,9) | 550 | 253 | 3x 1/2" | 1x 1" | 1300 | 81 | 1360 | 90 | 1345 | 125 | 1410 | 90 |
| DN 350 (355,6) | 608 | 322 | 3x 1/2" | 1x 1" | 1390 | 101 | 1450 | 112 | 1435 | 147 | 1520 | 112 |
| DN 400 (406,4) | 700 | 457 | 3x 1/2" | 1x 1" | 1480 | 138 | 1540 | 151 | 1525 | 211 | 1610 | 151 |