

K-FLEX R90

Fire Protection

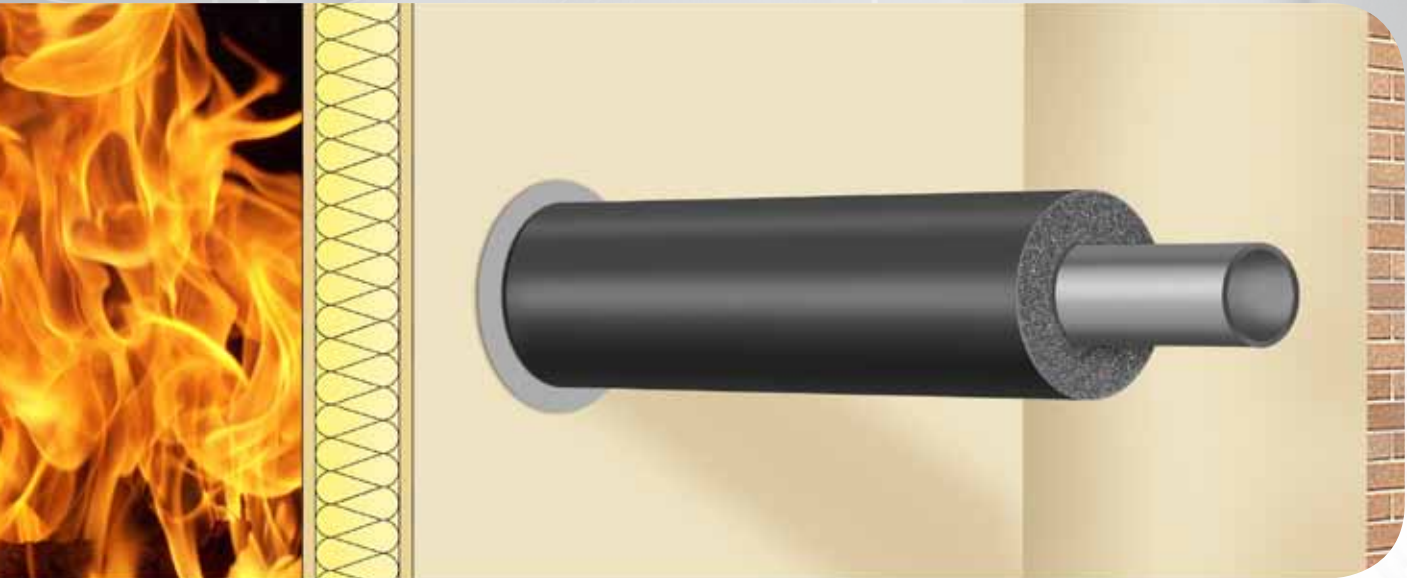


K-FLEX R90

T E C H N I C A L D A T A

| | |
|--|---------------------------------|
| Temperature range | from -40° C to +116° C |
| Thermal conductivity λ W/(m·K) | 0 ° C = 0.050 40 ° C = 0.056 |
| Water vapour diffusion μ | $\mu \geq 10,000$ |
| Fire behaviour | DIN 4102-B2 |
| Fire resistance | R90 (DIN 4102) |

L/SOLANTE K-FLEX reserves the right to change data and technical requirements without notice.



Application:

Fire protection

Fire Resistant R90 (DIN 4102-11)

$\mu \geq 10.000$

Copper pipes up to above $\varnothing 89$ mm

Steel, stainless steel and iron pipes up to above $\varnothing 89$ mm

Combustible pipes (PVC, PE, HDPE, PP, PVC) up to above $\varnothing 63$ mm

K-FLEX R90

K-FLEX R90 is the ideal solution for restoring the fire-stopping performance of fire resistant classified dividers where a technical breach has occurred, whilst at the same time offering excellent insulation properties.

The ideal solution is a product which hermetically closes the breach, thus preventing the passage of fire and smoke; which course of action must be triggered by a fire and not pre-empt it.

- > **R90** for heating, plumbing and refrigeration lines
- > **R90** leaves no gaps in lightweight construction walls
- > **R90** for walls starting from wall thicknesses ≥ 100 mm
- > Flexible, closed cellular insulation
- > **R90** for combustible pipes
- > Available up to **DN 80**
- > **Easy** to install
- > Fire protection without additional measures & costs
- > Simple connection to further insulation

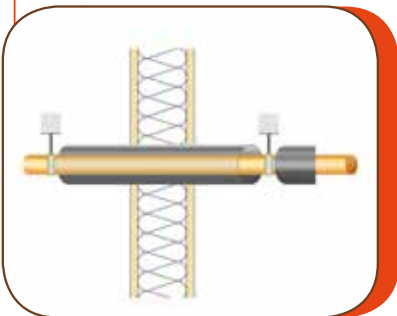


K-FLEX R90 is available in tube form of elastomeric closed cell construction with graphite, and intumescent characteristics. The different thicknesses (19 to 25 mm) are made with the aim of achieving the best possible thermal insulation.

Schematic representation for wall and ceiling implementation

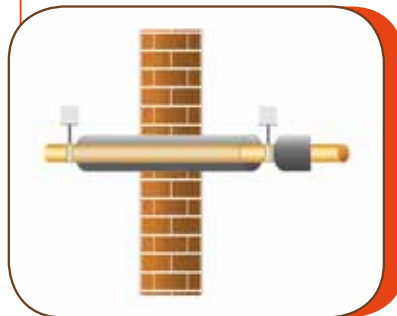
Partition Walls

Example of K-FLEX R90 application in partition walls and dividers.



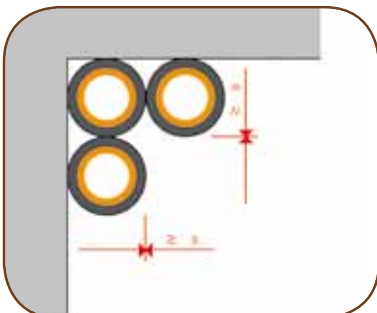
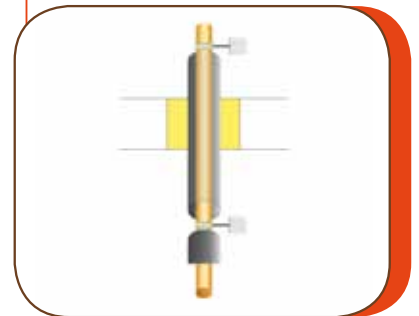
Structural walls

Example of K-FLEX R90 application in structural walls.



Ceilings

K-FLEX R90 for ceiling/floor applications.



Space-saving

The pipes can be installed in the smallest possible space.



R A N G E

| Tube 1 m | COPPER TUBE Cu | | STEEL TUBE Fe | | PLASTIC TUBE | | Description | m/ Carton |
|----------|----------------|-----------|---------------|-----------|--------------|--------|------------------------------|-----------|
| | Ø OD mm | Ø nom. DN | Ø OD mm | Ø nom. DN | Ø OD mm | Thick. | | |
| | 10 | | | | | 19 | K-FLEX R90 - 19 x 010 | 18 |
| | 12 | 10 | | | | 19 | K-FLEX R90 - 19 x 012 | 17 |
| | 15 | 10 | 13.5 | 8 | | 19 | K-FLEX R90 - 19 x 015 | 16 |
| | | | | | 16 | 20 | K-FLEX R90 - 20 x 016 | 14 |
| | 18 | 15 | 17.2 | 10 | | 20 | K-FLEX R90 - 20 x 018 | 13 |
| | | | | | 20 | 20 | K-FLEX R90 - 20 x 020 | 12 |
| | 22 | 20 | 21.3 | 15 | | 20 | K-FLEX R90 - 20 x 022 | 12 |
| | | | | | 25 | 20 | K-FLEX R90 - 20 x 025 | 11 |
| | 28 | 25 | 26.9 | 20 | | 25 | K-FLEX R90 - 25 x 028 | 9 |
| | | | | | 32 | 25 | K-FLEX R90 - 25 x 032 | 8 |
| | 35 | 32 | 33.7 | 25 | | 25 | K-FLEX R90 - 25 x 035 | 8 |
| | | | | | 40 | 25 | K-FLEX R90 - 25 x 040 | 6 |
| | 42 | 40 | 42.4 | 32 | | 25 | K-FLEX R90 - 25 x 042 | 6 |
| | | | 48.3 | 40 | | 25 | K-FLEX R90 - 25 x 048 | 5 |
| | | | | | 50 | 25 | K-FLEX R90 - 25 x 050 | 5 |
| | 54 | 50 | 54.0 | | | 25 | K-FLEX R90 - 25 x 054 | 5 |
| | | | 60.3 | 50 | | 25 | K-FLEX R90 - 25 x 060 | 4 |
| | | | | | 63 | 25 | K-FLEX R90 - 25 x 063 | 4 |
| | 76.1 | 65 | 76.1 | 68 | 75 | 25 | K-FLEX R90 - 25 x 076 | 4 |
| | 88.9 | 80 | 88.9 | 80 | | 25 | K-FLEX R90 - 25 x 089 | 4 |

